

### Mounting kit 046



#### Features

- For high-dynamic applications.

#### Description

Standard stator coupling mount with the screws on the encoder. Push encoder onto the drive shaft and mount torque support onto the client side. Fastening clamping ring with clamping ring screw.

#### Part number

11100198 Stator coupling, 2-armed, bolt circle  $\varnothing 63$  mm, mounting M3 (mounting kit 046)

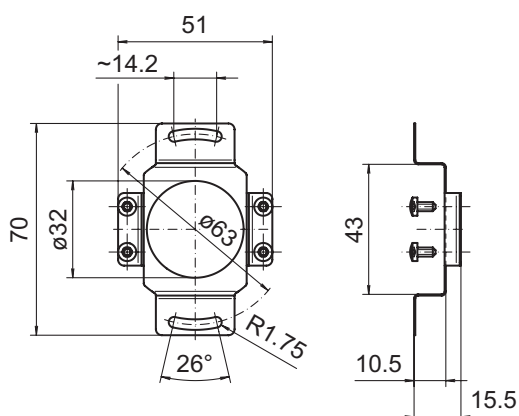
#### Scope of delivery

Included: standard stator coupling, four screws M3 x 6 (DIN 7985 - TX10)

#### Suitable for

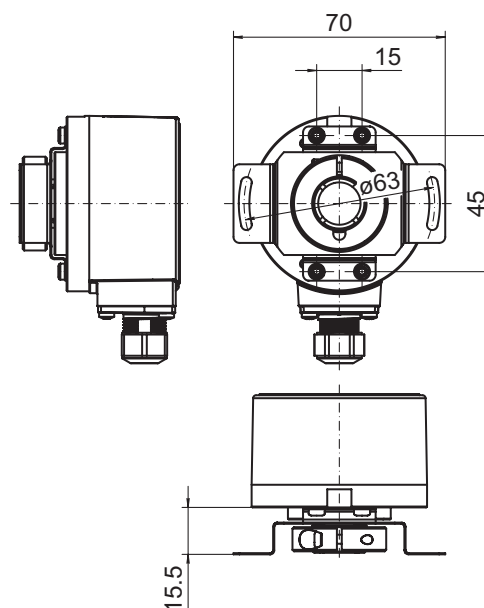
EIL580 - blind hollow shaft, EIL580 - through hollow shaft, EIL580P - blind hollow shaft, EIL580P - through hollow shaft

#### Dimensions



Z01570

#### Assembly drawing



Subject to modification in technic and design. Errors and omissions excepted.

7/8/2014