

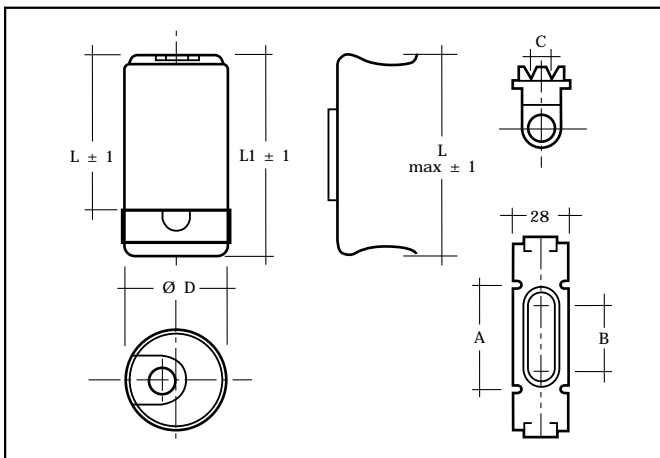
K13 TYPE MOTOR START

RoHS Compliant

- Surge-proof electrolytic capacitor in plastic case.
- Poles brought out to single or double fast-on terminals
- Normally supplied with end cup.
- On request: bipolar cable, discharge resistance, metal mounting bracket, with or without cover.

APPLICATIONS

Non polarized capacitor especially designed for intermittent A.C. voltage applications at 50-60 Hz for single phase motor starting.



	Case			Bracket		
	Ø est. mm.	L mm.	L1 mm.	Lmax mm.	A mm.	B x C mm.
B2	46	85.7	98.4	104	53	37 x 6.1

SPECIFICATIONS

Operating Temperature Range	(Operating) -25°C +75°C (Storage) -40°C +85°C
Working Voltage Range	from 125V AC to 320V AC
Capacitance Range	from 25 μ F to 800 μ F
Capacitance Tolerance	-0% +25% or \pm 10%
Tan δ (Dissipation loss angle)	Measurement frequency; 100 Hz, temperature 20°C Value shall not exceed 0.10 and shall be calculated as follows: $\tan d = W / (V \times I) = (\text{true watts} / \text{apparent watts})$
Capacitance Measurement	Capacitance shall be determined by measuring the current (after 2÷3 seconds of energising) through the capacitors at rated voltage and frequency. The capacitance is defined from the following formula: $C = (I \times 10^6) / 2 \pi \times f \times V$ C = capacitance in μ F I = current in Amperes π = 3.14 constant f = frequency in Hz V = applied AC voltage in Volt
Working condition	The standard time rating defined of the IEC 252 is 1.67% or 1/60 th full time and corresponds to a duty cycle of 3 seconds on and 177 seconds off. Alternative customer duty is available on request.
Endurance test	500 hours
Reference standards	IEC 252

K13 TYPE STANDARD RATINGS

RoHS Compliant

Cap μF	PART NUMBER digit_15=0 no cover	PART NUMBER digit_15=1 with cover	PART NUMBER digit_15=2 with cover + bracket
-----------	------------------------------------	--------------------------------------	---

VOLTAGE

100-125	K1312510000000B2	K1312510000001B2	K1312510000002B2
125-160	K1312512500000B2	K1312512500001B2	K1312512500002B2
160-200	K1312516000000B2	K1312516000001B2	K1312516000002B2
200-250	K1312520000000B2	K1312520000001B2	K1312520000002B2
250-315	K1312525000000B2	K1312525000001B2	K1312525000002B2
315-400	K1312531500000B2	K1312531500001B2	K1312531500002B2
600	K1312560000000B2	K1312560000001B2	K1312560000002B2
800	K1312580000000B2	K1312580000001B2	K1312580000002B2

125VAC

Cap μF	PART NUMBER digit_15=0 no cover	PART NUMBER digit_15=1 with cover	PART NUMBER digit_15=2 with cover + bracket
-----------	------------------------------------	--------------------------------------	---

VOLTAGE

25-31	K1325002500000B2	K1325002500001B2	K1325002500002B2
31-40	K1325003100000B2	K1325003100001B2	K1325003100002B2
40-50	K1325004000000B2	K1325004000001B2	K1325004000002B2
50-63	K1325005000000B2	K1325005000001B2	K1325005000002B2
63-80	K1325006300000B2	K1325006300001B2	K1325006300002B2
80-100	K1325008000000B2	K1325008000001B2	K1325008000002B2
100-125	K1325010000000B2	K1325010000001B2	K1325010000002B2
125-160	K1325012500000B2	K1325012500001B2	K1325012500002B2
160-200	K1325016000000B2	K1325016000001B2	K1325016000002B2
200-250	K1325020000000B2	K1325020000001B2	K1325020000002B2
250-315	K1325025000000B2	K1325025000001B2	K1325025000002B2
315-400	K1325031500000B2	K1325031500001B2	K1325031500002B2
400	K1325040000000B2	K1325040000001B2	K1325040000002B2
500	K1325050000000B2	K1325050000001B2	K1325050000002B2

250VAC

Cap μF	PART NUMBER digit_15=0 no cover	PART NUMBER digit_15=1 with cover	PART NUMBER digit_15=2 with cover + bracket
-----------	------------------------------------	--------------------------------------	---

VOLTAGE

25-31	K1332002500000B2	K1332002500001B2	K1332002500002B2
31-40	K1332003100000B2	K1332003100001B2	K1332003100002B2
40-50	K1332004000000B2	K1332004000001B2	K1332004000002B2
50-63	K1332005000000B2	K1332005000001B2	K1332005000002B2
63-80	K1332006300000B2	K1332006300001B2	K1332006300002B2
80-100	K1332008000000B2	K1332008000001B2	K1332008000002B2
100-125	K1332010000000B2	K1332010000001B2	K1332010000002B2
125-160	K1332012500000B2	K1332012500001B2	K1332012500002B2
160-200	K1332016000000B2	K1332016000001B2	K1332016000002B2
200-250	K1332020000000B2	K1332020000001B2	K1332020000002B2
250-315	K1332025000000B2	K1332025000001B2	K1332025000002B2

320VAC